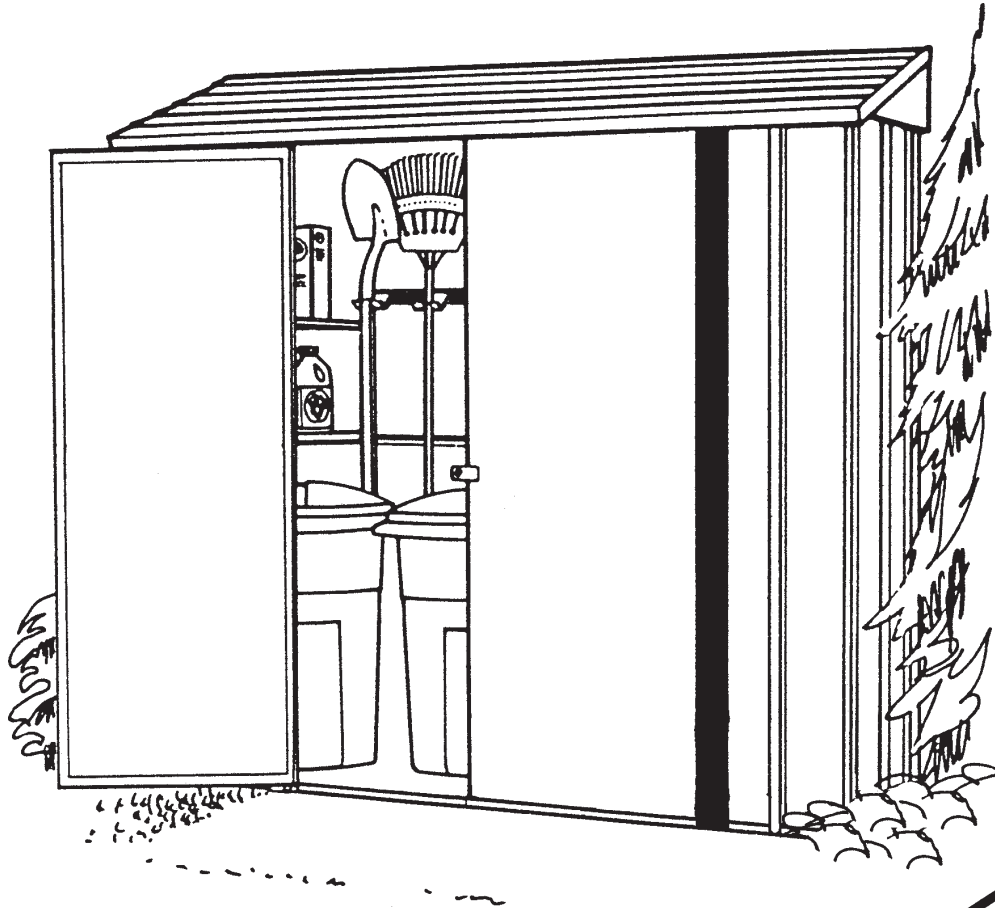


Owner's Manual & Assembly Instructions

BK01

Model No. **CL72-A**



709020509

BUILDING DIMENSIONS * Size rounded off to the nearest foot



CAUTION: SOME PARTS HAVE SHARP EDGES. CARE MUST BE TAKEN WHEN HANDLING THE VARIOUS PIECES TO AVOID A MISHAP. FOR SAFETY SAKE, PLEASE READ SAFETY INFORMATION PROVIDED IN THIS MANUAL BEFORE BEGINNING CONSTRUCTION. WEAR GLOVES WHEN HANDLING METAL PARTS.

*Approx. Size	Foundation Size	Storage Area Sq. Ft. Cu. Ft.		Exterior Dimensions (Roof Edge to Roof Edge)			Interior Dimensions (Wall to Wall)			Door Opening	
				Width	Depth	Height	Width	Depth	Height	Width	Height
7' x 2'	86 5/8" x 28 1/4"	15	95	87 1/4"	28 1/2"	81 5/8"	83 7/8"	25 1/2"	81"	50 1/4"	69"
2,1m x 0,6m	220,0cm x 71,8cm	1,4m ²	2,7m ³	221,6cm	72,4cm	207,3cm	213,0cm	64,8cm	205,7cm	127,6cm	175,3cm

BEFORE YOU BEGIN....

A2

Owner's Manual

Before beginning construction, check local building codes regarding footings, location and other requirements. Study and understand this owner's manual.

Important information and helpful tips will make your construction easier and more enjoyable.

Assembly Instructions: Instructions are supplied in this manual and contain all appropriate information for your building model. Review all instructions before you begin, and during assembly, follow the step sequence carefully for successful results.

Flooring and Anchoring: Your storage building must be anchored to prevent wind damage. A base is necessary to construct a square and level building. Anchoring and base materials are not included with your building. We recommend the combined use of an **Arrow Floor Frame Kit** and an **Arrow Anchoring Kit** as an effective method of securing your building to the ground (Available by mail order or at your local dealer) or you may construct a foundation and anchoring system of your choice. Your assembly instructions provide information on a few methods commonly used to secure and level a storage building.

Parts and Parts List: Check to be sure that you have all the necessary parts for your building.

- All part numbers can be found on the parts. All of these numbers (before the -) must agree with the numbers on the parts list. The parts list is located on page 12.

- If you find that a part is missing, include the model number of your building and contact:

Arrow Group Industries, Inc. Customer Service Department
1101 North 4th Street Breese, Illinois 62230
1-800-851-1085

- Separate contents of the carton by the part number while reviewing parts list. The first few steps show how to join related parts to make larger sub assemblies which will be used later.

- Familiarize yourself with the hardware and fasteners for easier use during construction. These are packaged within the carton. Note that extra fasteners have been supplied for your convenience.

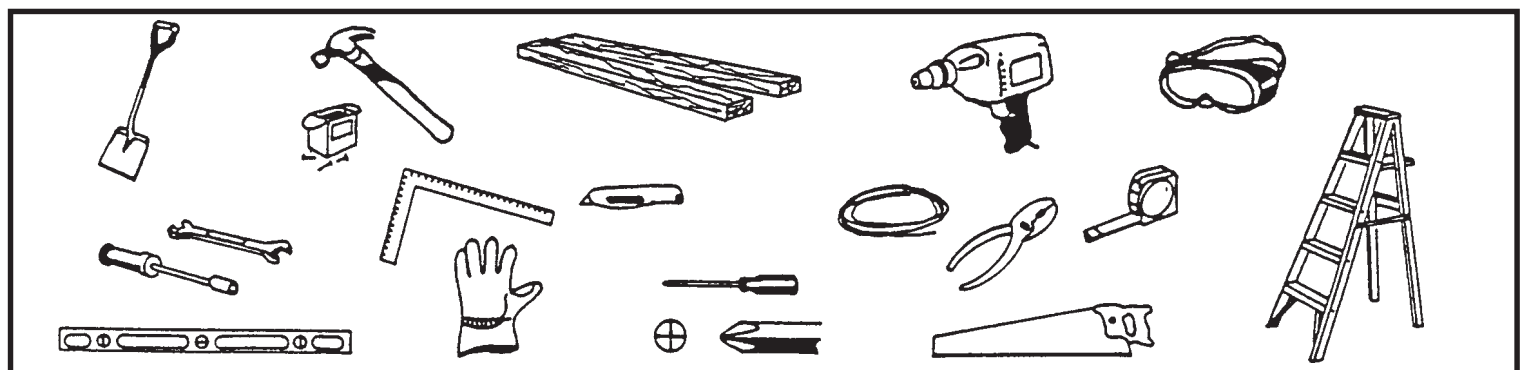
PLAN AHEAD....

A3

Watch the Weather: Be sure the day you select to install your building is dry and calm. Do not attempt to assemble your building on a windy day. Be careful on wet or muddy ground.

Teamwork: Whenever possible, two or more people should work together to assemble your building. One person can position parts or panels while the other is able to handle the fasteners and the tools.

Tools and Materials: These are some basic tools and materials you will need for the construction of your building. Decide which method of anchoring and the type of foundation you wish to use in order to form a complete list of the materials you will need.



<p>Required</p> <ul style="list-style-type: none">• Eye Goggles• No. 2 Phillips Screwdriver (With Hardened Magnetic Tip) <p>Note: A power screwdriver or variable speed drill with Phillips-tip attachment can speed assembly by as much as 40%.</p>	<p>Required</p> <ul style="list-style-type: none">• Work Gloves• Step Ladder• Utility Knife / Scissors• Pliers• Carpenter's Level• Tape Measure	<p>Optional Time-Savers</p> <ul style="list-style-type: none">• Wrench / Nut Driver• Electric / Cordless Drill• Square• String (for squaring frame)	<p>Foundation Preparation</p> <ul style="list-style-type: none">• Hammer and Nails• Spade or Shovel• Hand Saw / Power Saw• Lumber and/or Concrete
---	--	--	--

Selecting and Preparing Your Site: Before assembly, you will want to decide on a location for your building. The best location is a level area with good drainage.

- Allow enough working space for ease of moving parts into position during assembly. Be sure there will be enough space at entrance for doors to open fully and enough space around the building to be able to fasten the panel screws from the outside.

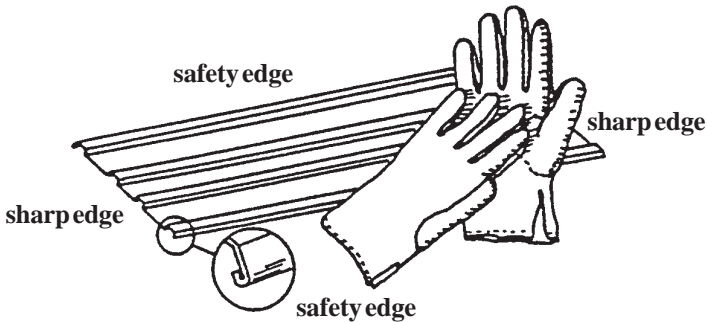
- Before you begin the first steps in assembling your parts, a base should be constructed and an anchoring system should be ready to use.

SAFETY FIRST...

A4

Safety precautions are important to follow throughout the construction of your building.

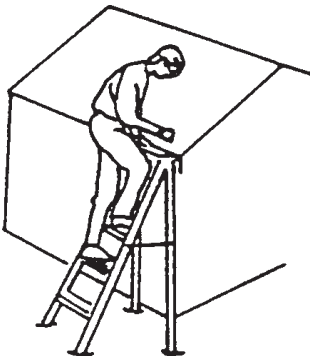
•Care must be taken when handling various pieces of your building since some contain sharp edges. Please wear work gloves, eye protection and long sleeves when assembling or performing any maintenance on your building.



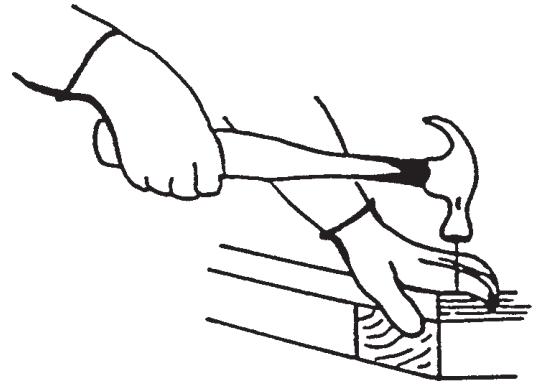
•Keep children and pets away from worksite to avoid distractions and any accidents which may occur.



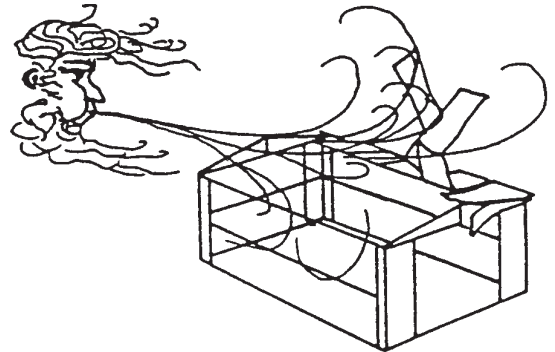
•Never concentrate your total weight on the roof of the building. When using a step ladder make sure that it is fully open and on even ground before climbing on it.



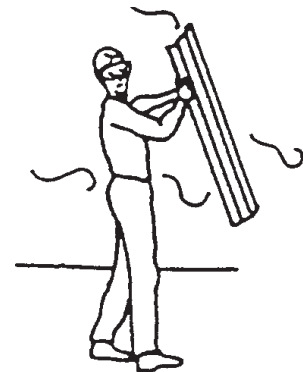
•Practice caution with the tools being used in the assembly of this building. Be familiar with the operation of all power tools.



•Do not attempt to assemble the building if parts are missing because any building left partially assembled may be seriously damaged by light winds. Call 1-800-851-1085



•Do not attempt to assemble the building on a windy day, because the large panels acting as a "sail", can be whipped about by the wind making construction difficult and unsafe.



CARE & MAINTENANCE....

A5 Web

Finish: For long lasting finish, periodically clean and wax the exterior surface. Touch-up scratches as soon as you notice them on your unit. Immediately clean the area with a wire brush; wash it and apply touch-up paint per manufacturer's recommendation.

Roof: Keep roof clear of leaves and snow with long handled, soft-bristled broom. Heavy amounts of snow on roof can damage building making it unsafe to enter. In snow country, Roof Strengthening Kits are available for most Arrow Buildings for added protection against heavy snow accumulation.

Doors: Always keep the door tracks clear of dirt and other debris that prevent them from sliding easily. Lubricate door track annually with furniture polish or silicone spray. Keep doors closed and locked to prevent wind damage.

Fasteners: Use all washers supplied to protect against weather infiltration and to protect the metal from being scratched by screws. Regularly check your building for loose screws, bolts, nuts, etc. and retighten them as necessary.

Moisture: A plastic sheet (vapor barrier) placed under the entire floor area with good ventilation will reduce condensation.

Other Tips....

- Wash off inked part numbers on coated panels with soap and water.
- Silicone caulking may be used for watertight seals throughout the building.

Do not store swimming pool chemicals in your building. Combustibles and corrosives must be stored in air tight approved containers.

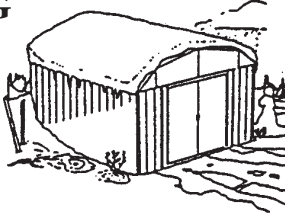
Keep this Owner's Manual and Assembly Instructions for future reference.

ACCESSORIES...

A6 WEB

ROOF STRENGTHENING (heavy snow load) KITS

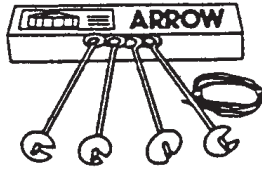
Extra roof beams and gable braces designed for added protection against heavy snow accumulation. Increases the strength of your roof by 50%.



ANCHOR KITS

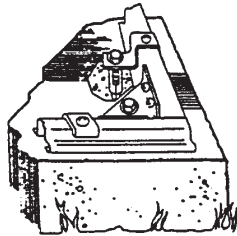
Model No. AK4

Anchor Kit contains heavy-duty steel augers, 60' (18m) of steel cable and 4 cable clamps. No digging or concrete pouring, just insert cable under roof, over roof beams, into augers and twist augers into the ground. For buildings larger than 10'x9' (3,0m x 2,6m), use 2 kits.



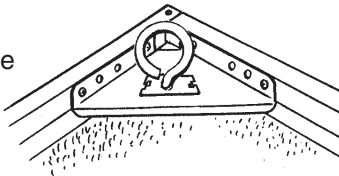
Model No. AK100

New concrete anchor system permits anchoring any size Arrow building directly to a concrete slab. Each kit contains heavy-duty, hot-dipped galvanized steel corner gussets and perimeter clips which fit over the floor frame and lag bolt into a concrete slab. Full assembly instructions and a 1/4" masonry drill bit are included.



Model No. AK600

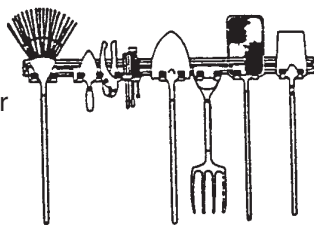
Earth Anchor Kit anchors any size Arrow building to the ground. Each kit contains heavy duty, hot-dipped galvanized steel corner gussets and 4 earth anchors.



TOOL HANGING RACK

Model No. TH100

The perfect tool organizer. Twin 25 1/2" (64,8cm) steel channels plus five heavy-duty snap-in hangers and a small tool holder for screwdrivers, pliers, etc. Holders slide along channel for fully adjustable spacing. Great for garage, basement, or the back of any door. Fits all Arrow storage buildings.



FLOOR FRAME KITS



MODELS FB47410, FB5465, FB106-A
FB109-A and FB1014-A

A simple new floor frame system made of heavy-duty, hot-dipped galvanized steel. Use as foundation for plywood, sand or stone.

ATTIC KIT / WORKBENCH KIT

Model No. AT101

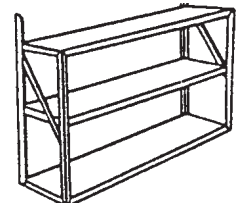
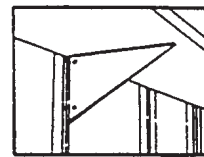
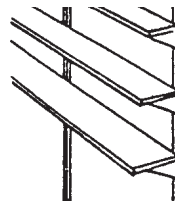
Heavy-duty galvanized steel bars that fit all 10' (3,0m) wide Arrow buildings. They install quickly and easily to help organize space and create more useable space as an attic or workbench. Will hold up to 250 lbs. (113kg) evenly distributed.



Some drilling required to fit buildings without mid-wall bracing.

SHELF UNITS

Heavy-duty, galvanized steel shelf units help organize storage space. They easily mount on the wall or sit on the floor. Fits all Arrow buildings.*



Model No. SS404

- Makes 8" to 12" (20,3-30,5cm) wide shelves in any length.
- Brackets, braces, hardware included.
- Lumber is not included.

Model No. SS900-A

- Grey color
- 3 shelves
- Holds up to 85 lbs. (38kg) (even weight distribution)

* Some drilling required to fit buildings without mid-wall bracing.

THIS
PAGE
WAS
LEFT
BLANK
INTENTIONALLY



THIS

PAGE

WAS

LEFT

BLANK

INTENTIONALLY

Foundation

BJ09

The Foundation For Your Building

OPTION 1: Wood Platform

If you decide to build your own foundation, be sure to select the appropriate materials.

These are the recommended materials for your foundation:

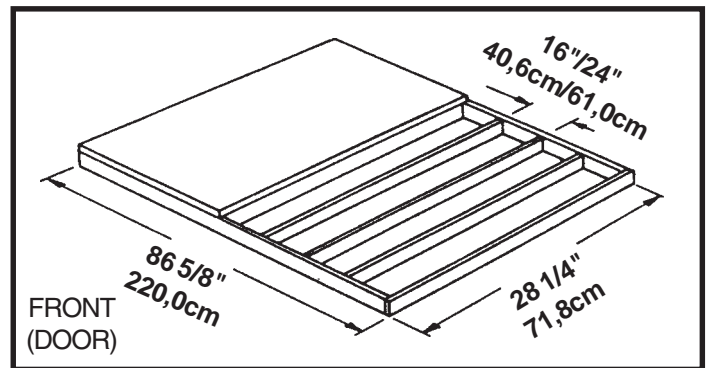
- 2 x 4's (38mm x 89mm) Pressure Treated Lumber
- 5/8" (15,5mm) 4 x 8 (1220mm x 2440mm) Plywood-exterior grade
- 10 & 4 penny Galvanized Nails
- Concrete Blocks (optional)

The platform should be level and flat (free of bumps, ridges etc.) to provide good support for the building. The necessary materials may be obtained from your local lumber yard.

To construct the foundation follow instructions and diagram.

- Construct frame (using 10 penny galvanized nails)
- Measure 16"/24" (40,6cm/61,0cm) sections to construct inside frame (see diagram)
- Secure plywood to frame (using 4 penny galvanized nails)

Allow 2 - 3 hours for construction.



Note: Platform/Slab will extend 9/16" (1,4cm) beyond floor frame on all four sides. Seal this 9/16" (1,4cm) of wood with a roofing cement (not included), or bevel this 9/16" (1,4cm) of concrete when pouring, for good water drainage.

OPTION 2: Concrete Slab

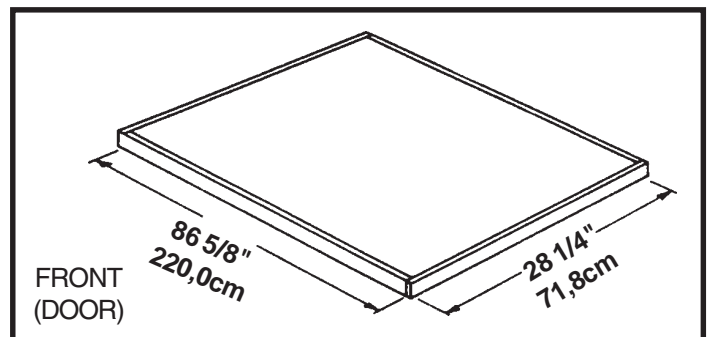
The slab should be at least 4" (10,2cm) thick. It must be level and flat to provide good support for the frame.

The following are the recommended materials for your foundation.

- 1 x 4's (19mm x 89mm) (will be removed once the concrete cures)
- Concrete
- Sheet of 6 mil plastic
- We recommend for a proper strength concrete to use a mix of:
1 part cement ● 3 parts pea sized gravel ● 2 1/2 parts clean sand

Prepare the Site/Construct a Foundation

1. Dig a square, 6" (15,2cm) deep into the ground (remove grass).
2. Fill up to 4" (10,2cm) in the square with gravel and tamp firm.
3. Cover gravel with a sheet of 6 mil plastic.
4. Construct a wood frame using four planks of 1x4 (19mm x 89mm) lumber.
5. Pour in concrete to fill in the hole and the frame giving a total of 4" (10,2cm) thick concrete. Be sure surface is level.



Note: Finished Slab dimensions, with lumber removed.

Allow 3 - 5 hours for construction and a week for concrete curing time.

Anchoring

A10

Anchoring Down The Building

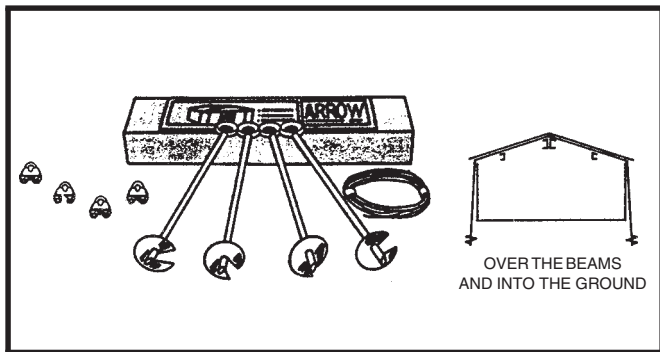
It is important that the entire floor frame be anchored after the building is erected.

Below are recommended ways of anchoring.

Arrow Anchoring Kit: (Model No. AK4 or 60298)

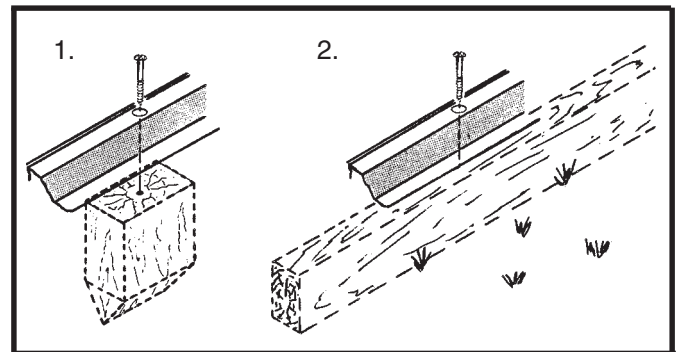
Recommended for use with **any** suggested **base**.

Contains: 4 Anchors with Cable, Clamps and installation instruction.



Anchoring into Wood/Post:

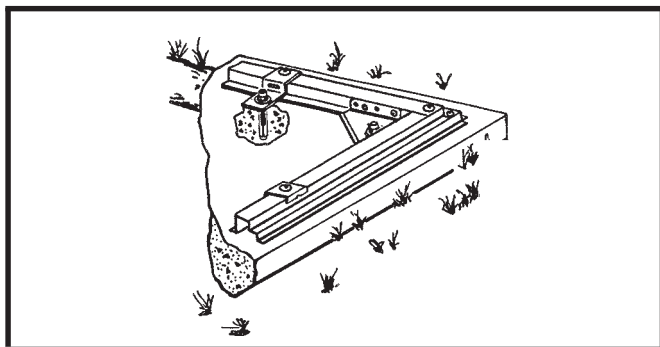
Use 1/4" (6mm) Wood Screws. There are 1/4" (6mm) dia. holes provided in the frames for proper anchoring.



Arrow Anchoring Kit: (Model No. AK100 or 68383)

Recommended for use with the **concrete** foundation.

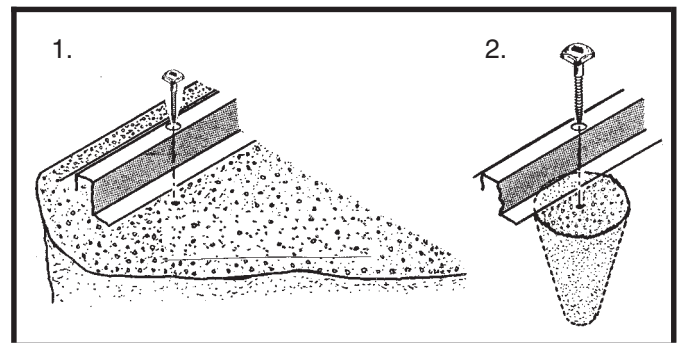
Contains: Corner gussets, perimeter clips, hardware, 1/4" masonry drill bit and installation instruction.



Anchoring into Concrete:

1. For poured concrete slab or footing or patio blocks: Use 1/4" x 2" (6mm x 51mm) Lag Screws.

2. For Anchor Post of Concrete poured after building is erected: Use 1/4" x 6" (6mm x 152mm) Lag Screws.



Hardware

BK11



65103
#8-32 Hex Nut (68)



65941
#6-32 Hex Nut (23)



65923
#8-32x3/8" (10mm)
Bolt (68)



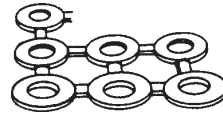
65004
#8Ax5/16" (8mm)
Screw (154)



66714
#6-32x7/16" (11mm)
Flat Hd Bolt (16)



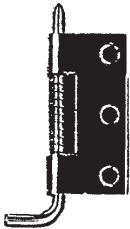
66645
#6-32x3/4" (19mm)
Screw (7)



66646
Washer (164)
(5 sheets of 40)



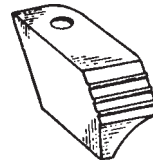
66148
Cap Protector (14)



66684
Spring Latch (1)



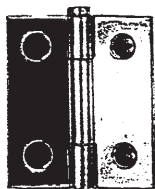
66462
Hasp (1)



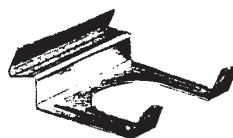
66183
Roof Trim Cap (4)



66463
Swivel Staple (1)



66604
Hinge (4)



66149
Tool Hook (5)



66150
Screw Driver Holder (1)

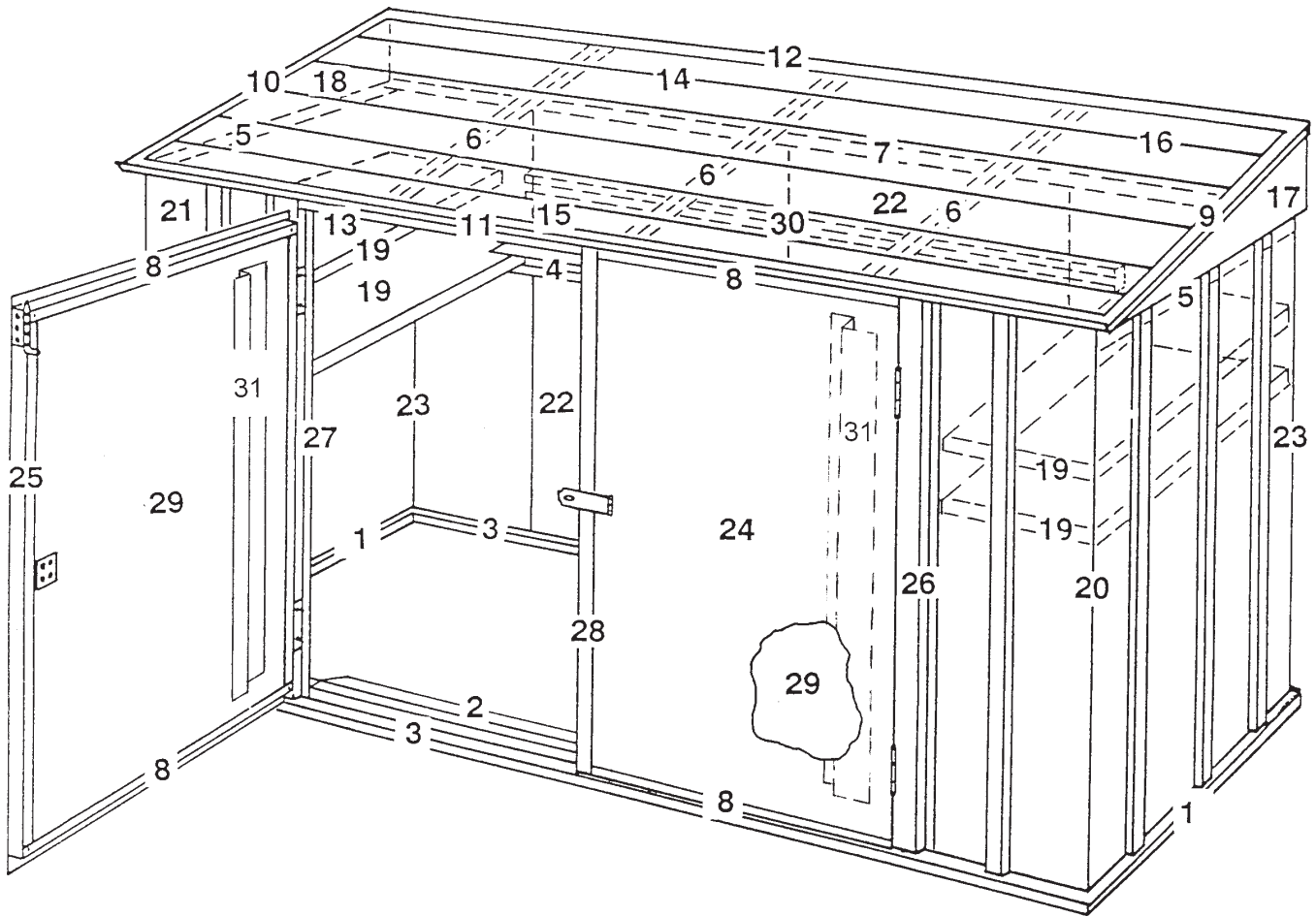
Parts List

BK12

Assembly Key No.	Part Number	Part Description	Quantity in Carton	Check List
1	8984	Side Floor Frame	2	
2	9429	Ramp	1	
3	9430	Front/Rear Floor Frame	2	
4	9431	Mid Wall Frame	1	
5	9432	Side Wall Angle	2	
6	9433	Roof Rafter	3	
7	9434	Rear Wall Angle	1	
8	9435	Horizontal Door Brace	4	
9	9436	Right Roof Trim	1	
10	9437	Left Roof Trim	1	
11	9438	Front Roof Trim	1	
12	9439	Peak Trim	1	
13	9440	Door Header	1	
14	9441	Rear Header	1	
15	9442	Starter Strip	1	
16	9443	Roof Panel	1	
17	9448	Right Gable	1	
18	9449	Left Gable	1	
19	9454	Shelf	4	
20	9446	Right Front Corner Panel	1	
21	9447	Left Front Corner Panel	1	
22	9445	Wall Panel	2	
23	9444	Rear Corner Panel	2	
24	9936	Right Door	1	
25	9937	Left Door	1	
26	9452	Right Door Jamb	1	
27	9453	Left Door Jamb	1	
28	66612	Astragal	1	
29	67732	Foam Board	2	
30	9522	Track Tool Holder	1	
31	9942	Vertical Door Brace	2	

Assembly by Key No.

BK13



Step 1

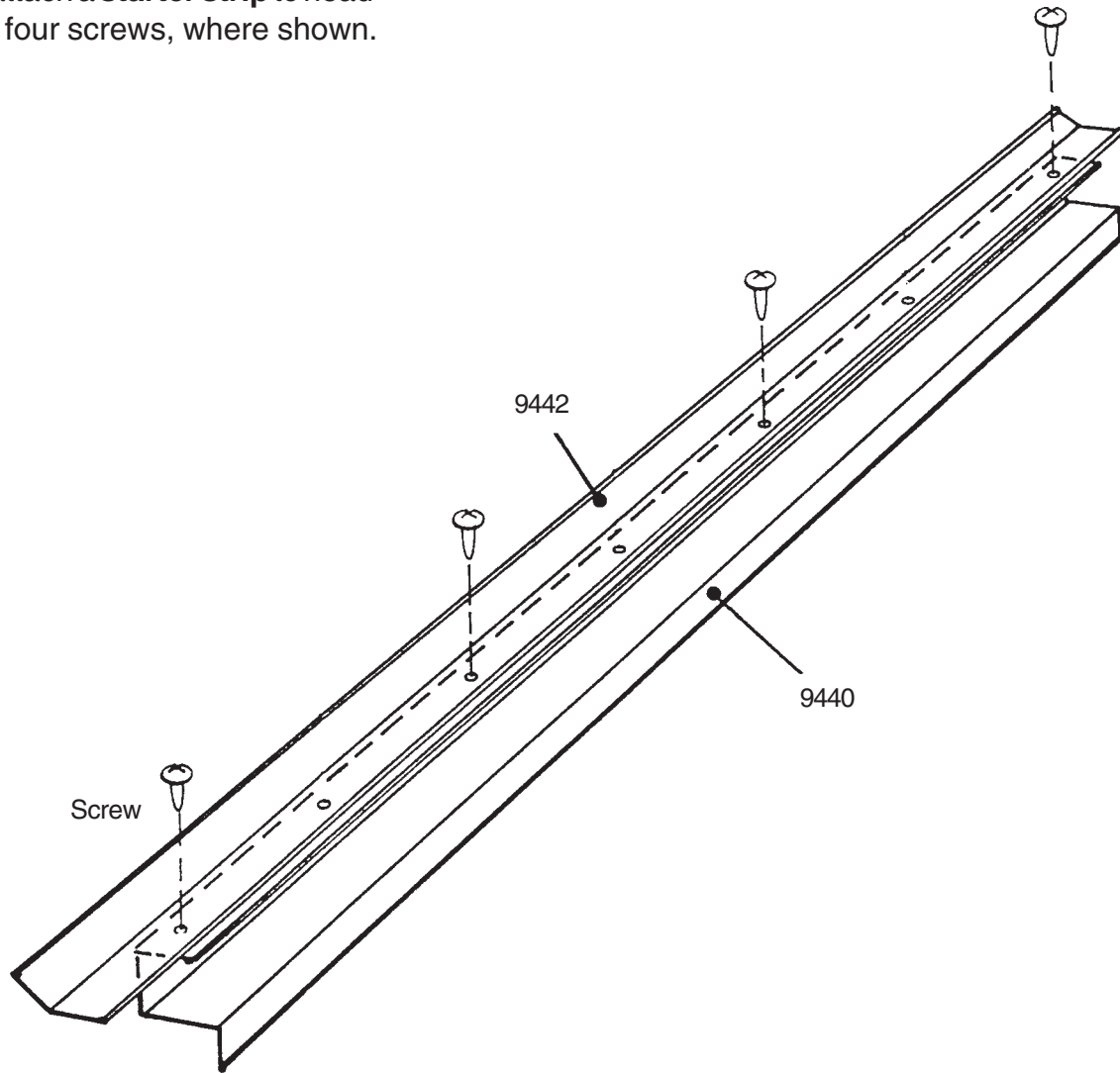
BJ14

● Parts Needed For ● Door Header Assembly

- 9440 Door Header (one)
- 9442 Starter Strip (one)

The door header reinforces the front wall and roof. It is made up of two pieces.

1 Positioning the **door header** as shown, attach a **starter strip** to header using four screws, where shown.



STEP
1

Step 2

BK15

● Parts Needed For Door Assembly ●

- 9435 Horizontal Door Brace (four)
- 9936 Right Door (one)
- 9937 Left Door (one)
- 66612 Astragal (one)
- 67732 Foam Board (two)
- 9942 Vertical Door Brace (two)

The steps on this page tell how to assemble the doors. Proceed as follows:

1 Position **hinges** on sides of **right** and **left door** panels as shown and fasten with 7/16" (11mm) flat head bolts outside and #6 hex nuts inside.

2 Slide **foam board** under lip of door, away from hinges, foil facing outward. See caution. Hold the **vertical door brace** against the long edge of the foam board inside the door and fasten to door using 5 bolts and nuts.

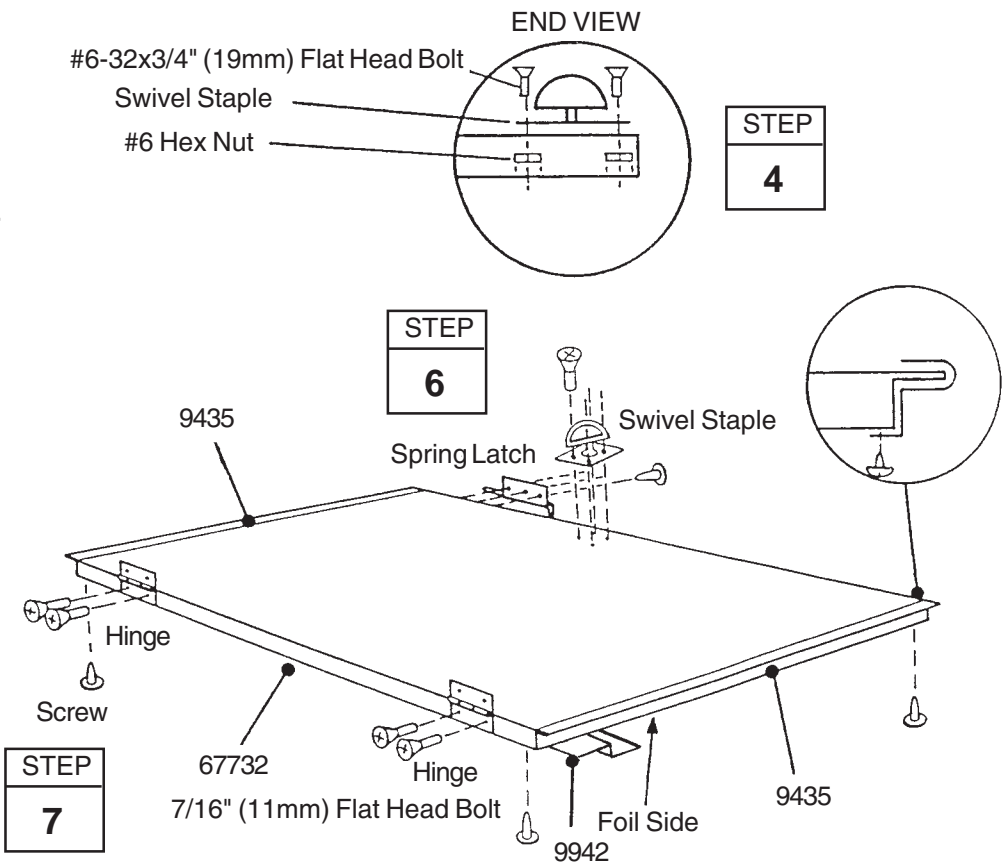
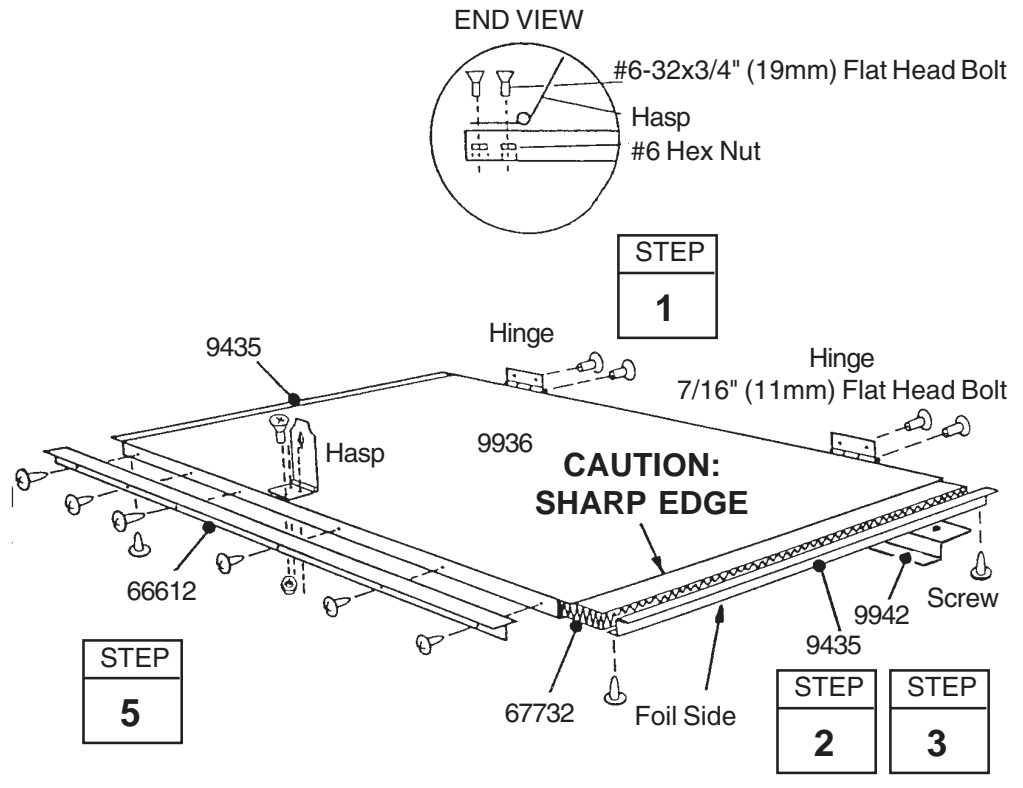
3 Cover ends of door panel with **horizontal door brace**. Edge of door panel slides into brace. Fasten braces to doors using two screws.

4 Using an awl, ice pick or nail, push holes through foam board at the hasp and staple holes. Attach **hasp** to right door and **swivel staple** to left door using #6-32x3/4" (19mm) flat head bolts and #6-32 hex nuts. Tighten nuts through foam board using a needle nose pliers until they are against inside of door panel.

5 Position **astragal** to right door, as shown, and fasten using six screws.

6 Fasten the **spring latch** at the top of left door, using three screws.

7 Set the doors aside for later use.



Step 3

BJ16

● Parts Needed For ● Floor Frame Assembly

- 8984 Side Floor Frame (two)
- 9429 Ramp (one)
- 9430 Front/Rear Floor Frame (two)

The floor frame at the front of building is made up of two pieces. Proceed as follows:

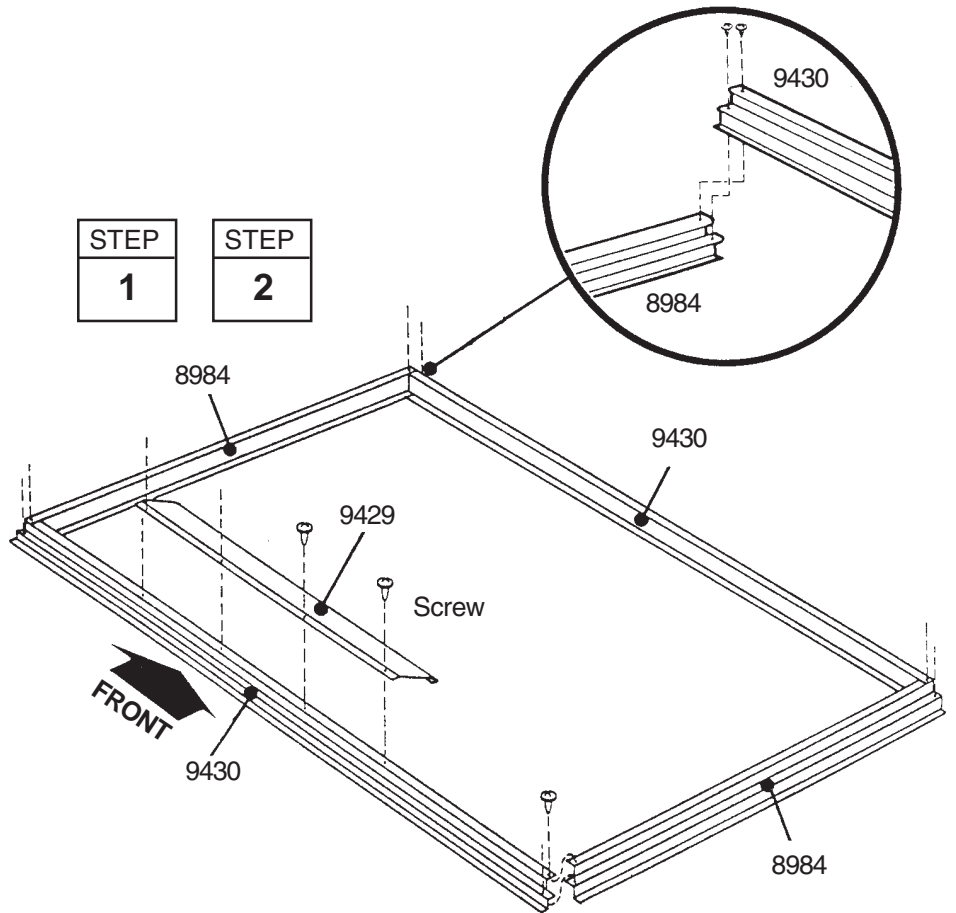
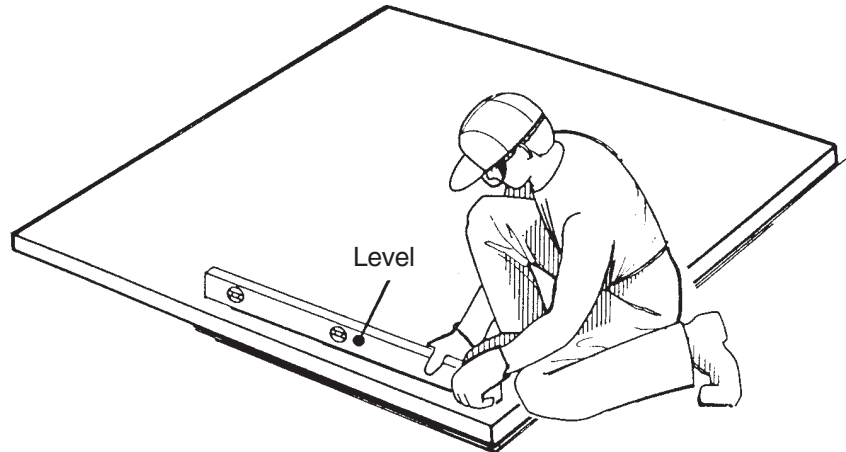
1 Center the **ramp** on top of the **front floor frame**. Join the frames by inserting four screws.

2 Place the **floor frames** on the foundation. Assemble the four corners of the floor frame using two screws at each corner as shown.

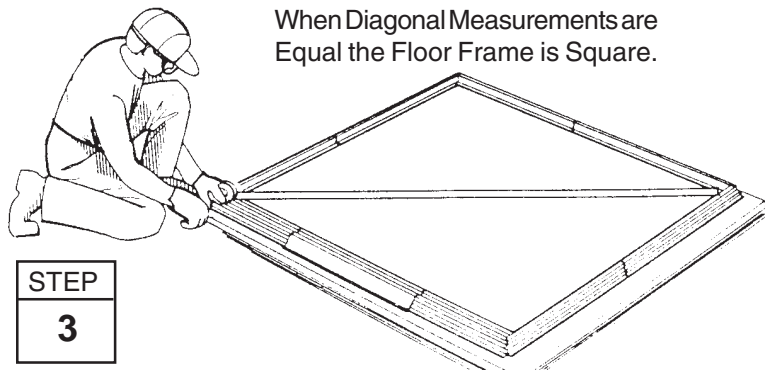
3 Measure the floor frame diagonally. When the diagonal measurements are equal, the floor frame is square.

NOTE

Do not fasten the floor frame to your foundation at this time. You will anchor the building after it is erected.



When Diagonal Measurements are Equal the Floor Frame is Square.



The floor frame *must be square and level* or holes will not align.

Step 4

BK17

● Parts Needed For ● Corners/Side Angles

- 9432 Side Wall Angle (two)
- 9446 Right Front Corner Panel (one)
- 9447 Left Front Corner Panel (one)
- 9444 Rear Corner Panel (two)

NOTE
The remainder of the building assembly requires many hours. Do not continue beyond this point if you do not have enough time to complete the assembly today. A partially assembled building can be severely damaged by light winds.

Each screw and bolt in the wall requires a washer.

1 Position **right & left front corner panels** at the corners of the floor frame as shown. The widest part of each corner panel must be placed along the front of the building. Fasten the corner panels to the floor frame with three screws, where shown.

Support the corner panel with a step ladder until overlap is fastened.

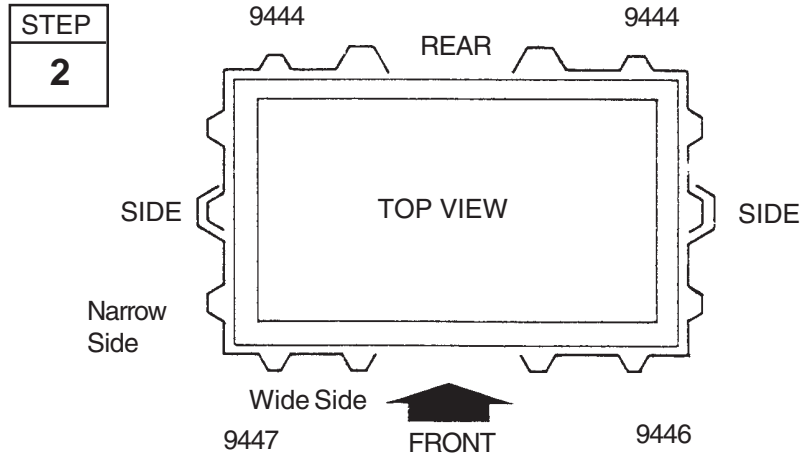
2 Attach the **rear corner panels** to the rear corners, as shown. The crimped rib should go under the rib of the adjacent panel. Fasten overlapping rib using 2 screws and a bolt with nut.

NOTE
Be careful to install the correct panel in each position as shown

3 Fasten the **side wall angles** across the top of the side panels using screws.

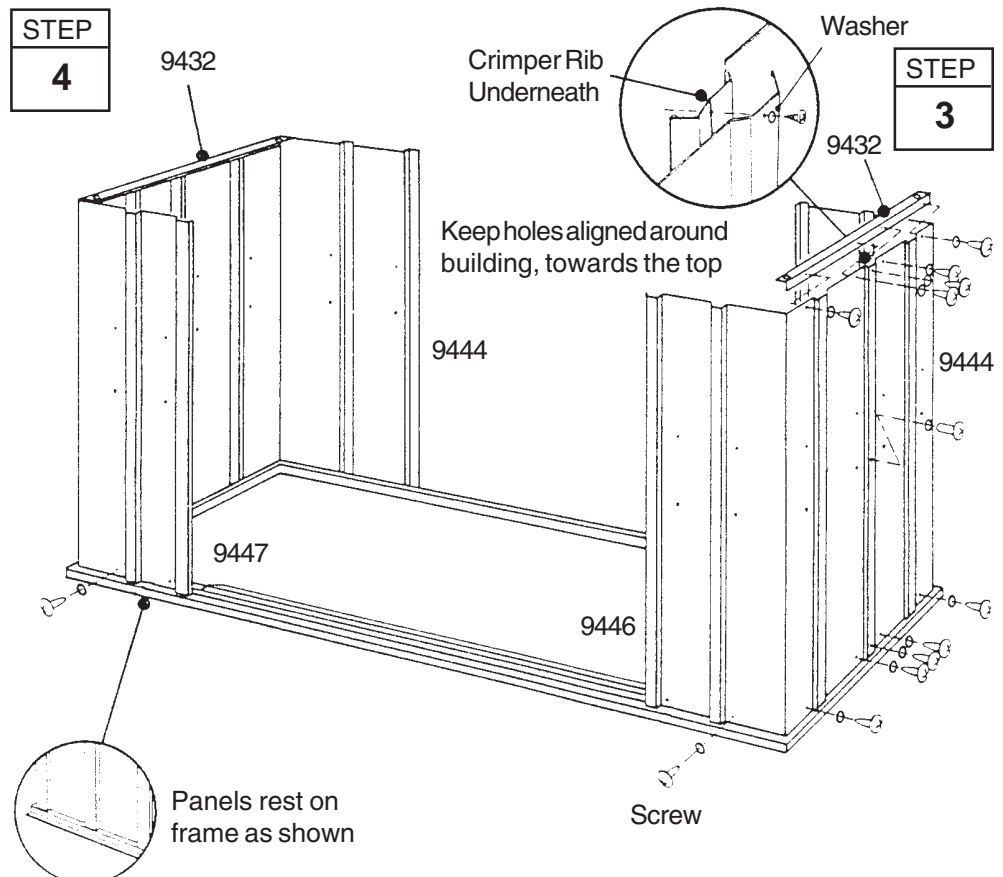
4 Double-check the part numbers of the corner wall panels, before proceeding.

The floor frame must be square and level or holes will not align.



STEP 1

STEP 4



Step 5

BJ18

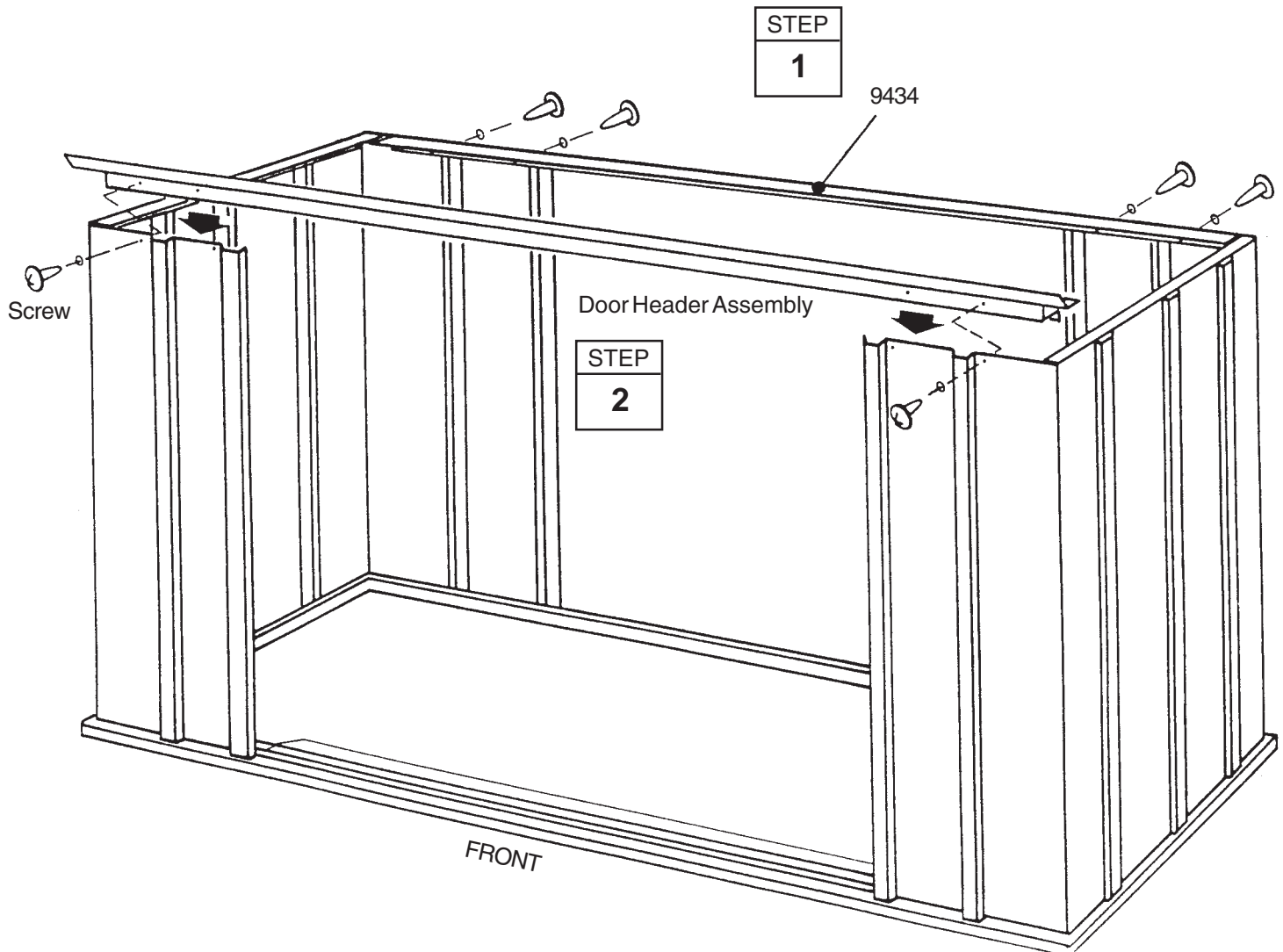
● Parts Needed For ● Frames

- 9434 Rear Wall Angle (one)
- Door Header Assembly (one)

The main frame pieces give rigidity to the front and rear walls.

1 Fasten the **rear wall angle** across the top of the rear wall using four screws.

2 Fasten the **door header** across the top of the front walls using two screws, where shown.



Step 6

BK19

● Parts Needed For ● Wall Panels/Rear Header

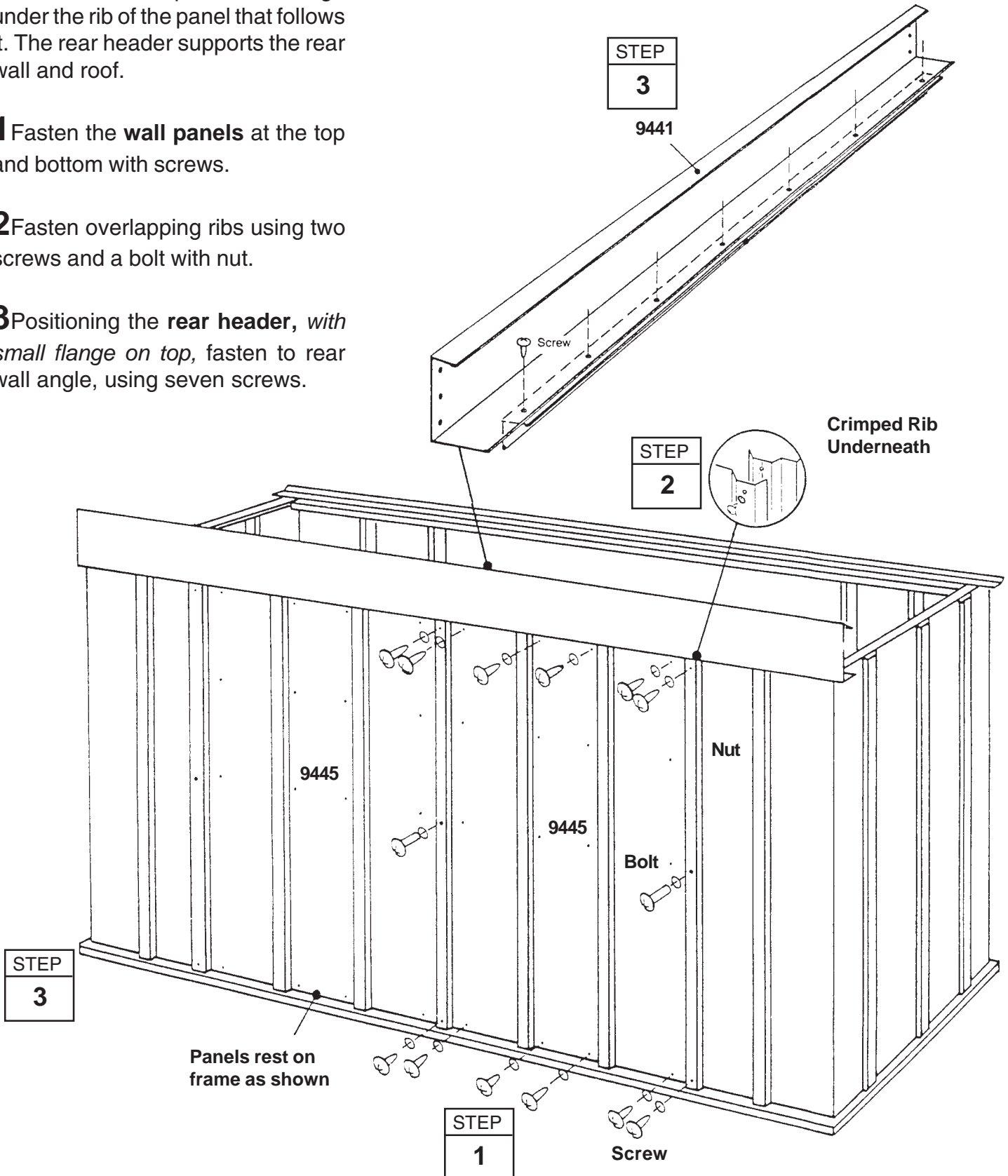
- 9441 Rear Header (one)
- 9445 Wall Panel (two)

Each wall panel has a crimped rib on one side. The crimped rib should go under the rib of the panel that follows it. The rear header supports the rear wall and roof.

1 Fasten the **wall panels** at the top and bottom with screws.

2 Fasten overlapping ribs using two screws and a bolt with nut.

3 Positioning the **rear header**, with *small flange on top*, fasten to rear wall angle, using seven screws.



Step 7

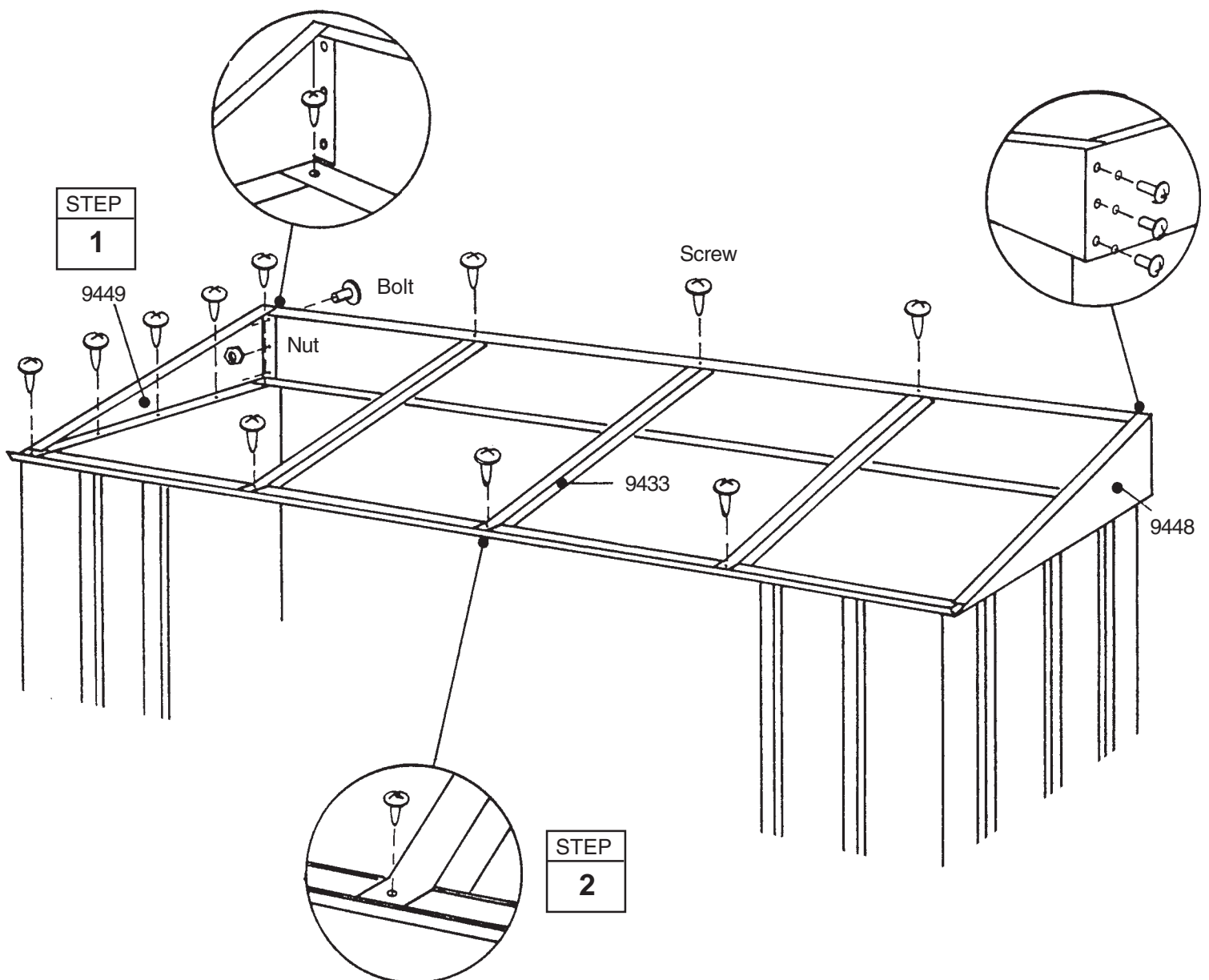
BJ20

● Parts Needed For ● Gables/Roof Rafters

- 9433 Roof Rafter (three)
- 9448 Right Gable (one)
- 9449 Left Gable (one)

1 Lift and fasten a **right and left gable**, under rear header, to the right and left hand wall with four screws. Join gables to header in the rear corners, using a screw.

2 Position **roof rafters** across width of building, under rear header, with tab on top of door header. Fasten using two screws.



Step 8

BK21

● Parts Needed For ● Door Jambs

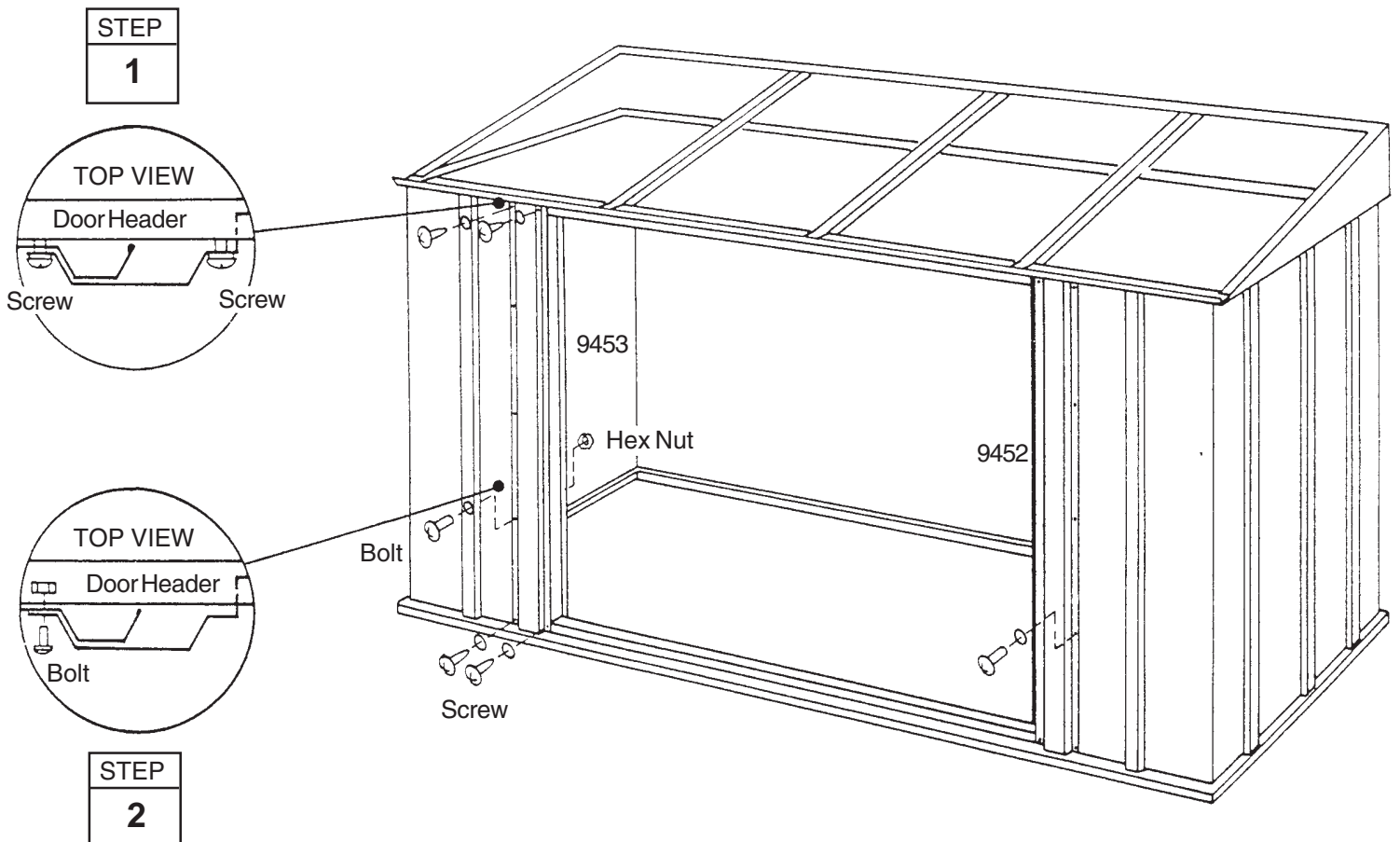
- 9452 Right Door Jamb (one)
- 9453 Left Door Jamb (one)

The door jambs reinforce the door opening and provide an attractive trim. Follow these steps for both door jambs.

1 Fasten a **door jamb** to the front corner panel with one bolt and nut as shown.

2 Fasten the top of the door jamb to the door header with two screws. Do the same for the bottom into frame.

Repeat steps 1 through 2 for the opposite door jamb.



Step 9

BJ22

● Parts Needed For ● Roof Panel/Trim

- 9436 Right Roof Trim (one)
- 9437 Left Roof Trim (one)
- 9438 Front Roof Trim (one)
- 9439 Peak Trim (one)
- 9443 Roof Panel (one)

Each screw and bolt in the roof require a washer.

NOTE

Measure the building diagonally again and make adjustments to make sure the building is square. This will make the roof panel fit better, and holes will align.

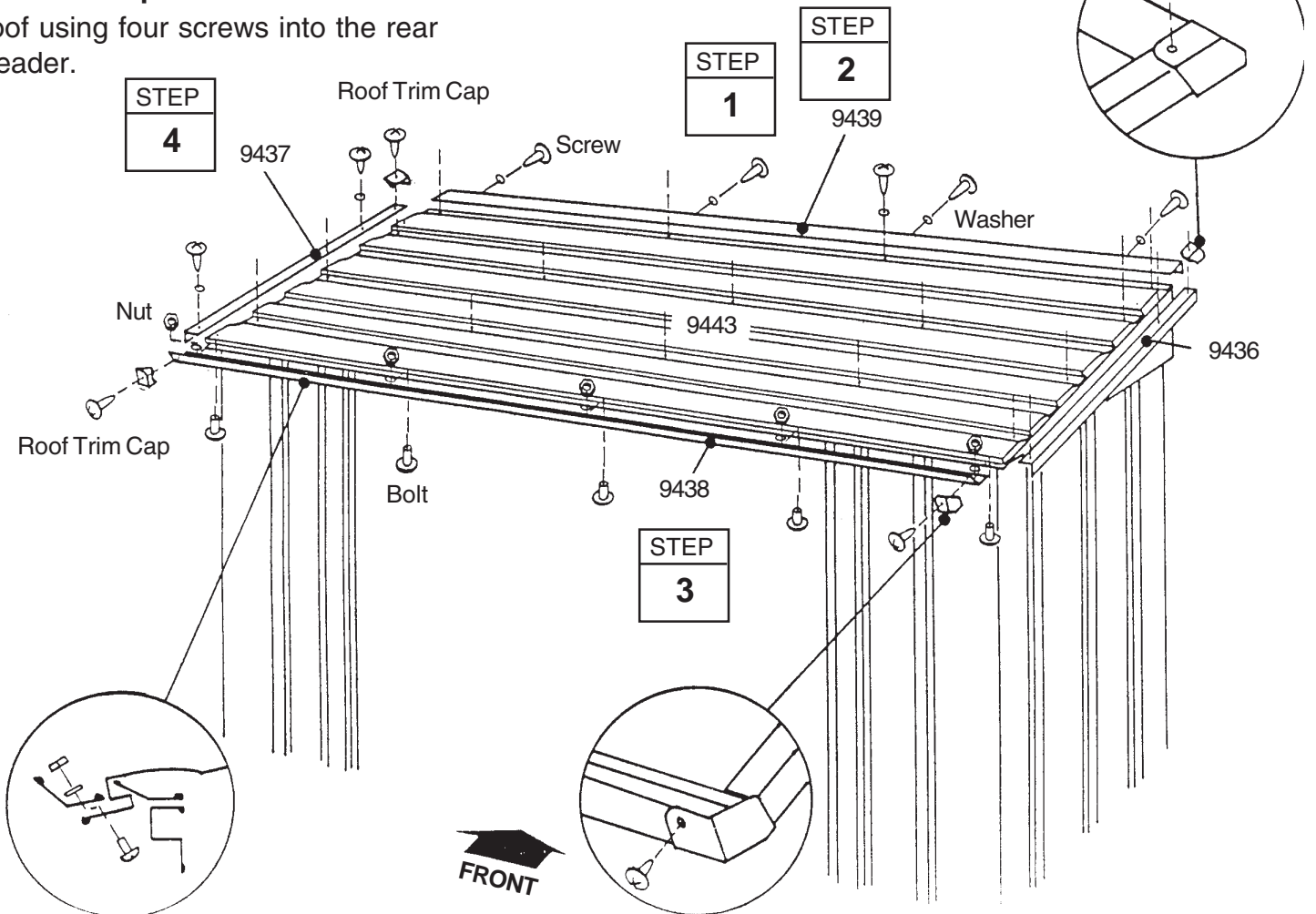
1 Position **roof panel** on top and fasten to rear header, roof rafters and gables using screws.

2 Attach the **peak trim** to the rear of roof using four screws into the rear header.

3 Fasten **front roof trim** to the front flange on roof panel using five bolts and nuts, as shown.

4 Attach the **right & left roof trim** to the ends of the roof panel on each side of the building using two screws on each trim.

5 Fasten a **roof trim cap** to the peak of the right and left roof trim using a screw. Attach remaining caps upside down to the ends of the front roof trim using a screw.



Step 10

BK23

● Parts Needed For ● Shelving/Mid Frame/Track

- 9431 Mid Wall Frame (one)
- 9454 Shelf (four)
- 9522 Track Tool Holder (one)

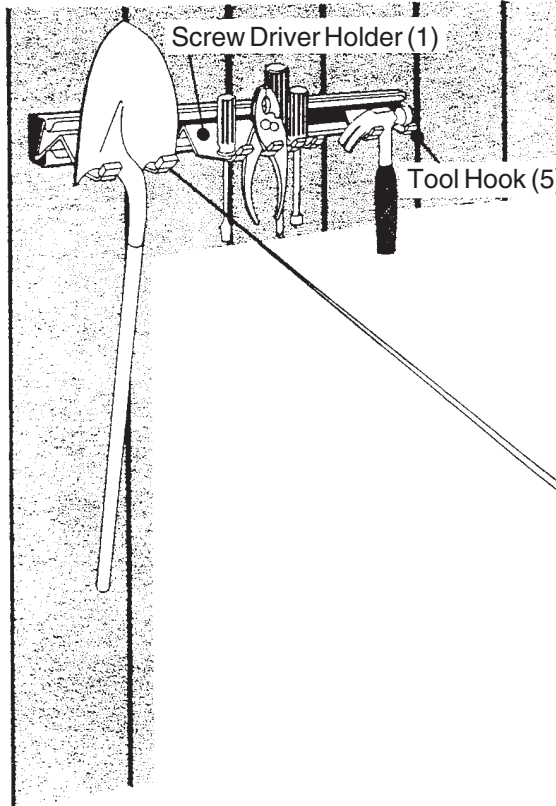
1 Fasten the **mid wall frame** across the middle of the rear wall using eight bolts and nuts.

2 Position a **shelf** inside mid wall frame and slide to the end of building. Fasten using bolts and nuts through panels.

Repeat Step 2 for the *opposite shelf*.

3 Install remaining two **shelves** above the first two at the holes provided, using bolts and nuts.

4 Fasten the **track tool holder** across the upper rear wall using eight screws from the outside.

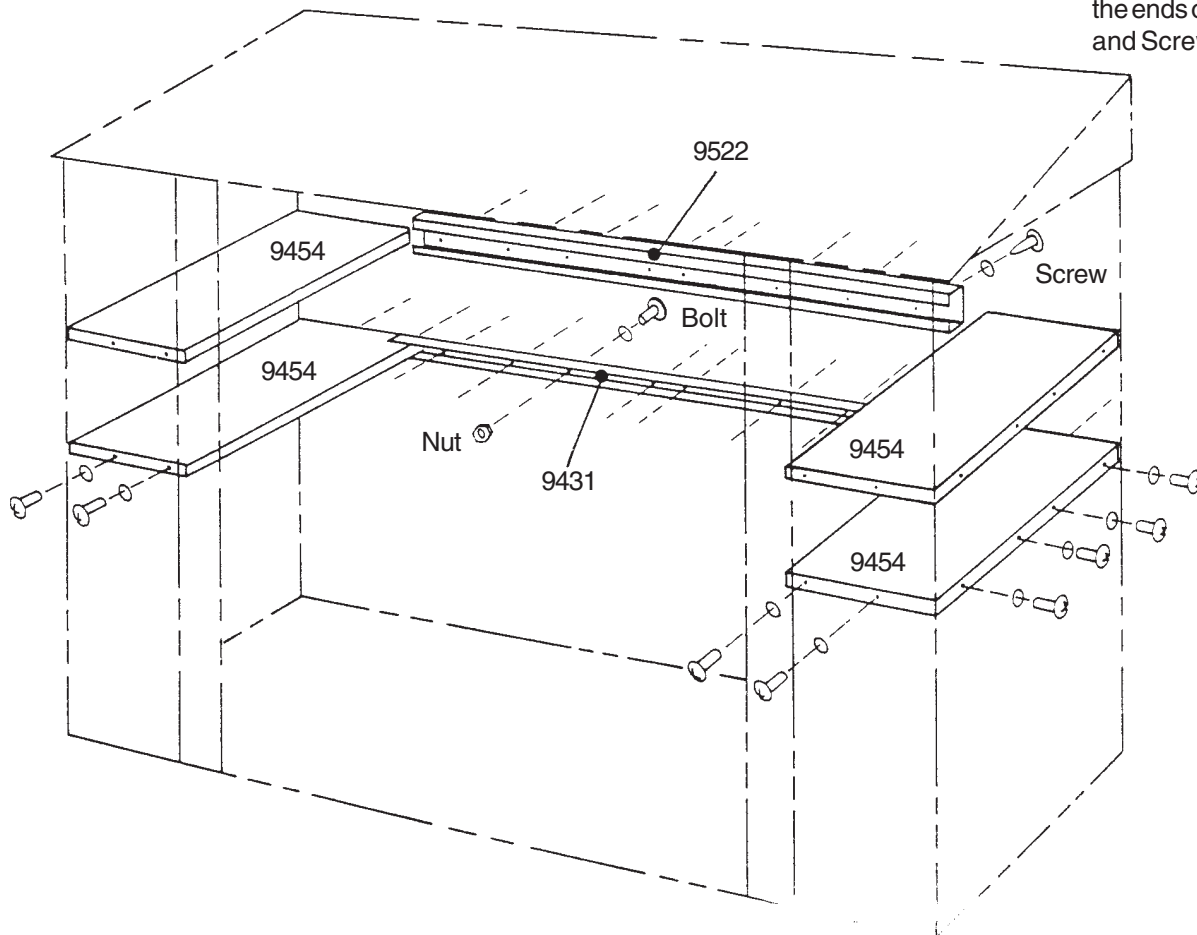


Tool Hooks slide along track to any desired position. Keeps rakes, shovels, brooms and much more in a safe and accessible location.

The Screw Driver Holder is engineered for all types of hand tools such as screwdrivers and pliers. A total of seven hand tools may be stored.

66148 Cap Protector

Install Cap Protectors to the ends of the Tool Hooks and Screw Driver Holder.



CL72-A

BK24

Step 11

BK24

● Parts Needed For ● Door Installation

- Right Door Assembly (one)
- Left Door Assembly (one)

1 Position doors in corners of door opening as shown and fasten hinges with 7/16" (11mm) flat head bolts and #6-32 hex nuts.

NOTE

Be sure the heads on hinge pins are all installed toward the top

2 The hasp and staple can be used to keep doors closed, or used with a padlock (not supplied) to lock doors. When the spring latch is engaged with hole in door header, this will hold left door closed when not in use.

STEP
2

